

# SPARE PARTS LIST

## HYDRONIC II COMFORT



**THE SPARE PARTS LIST IS ONLY VALID FOR THE FOLLOWING  
ENGINE-INDEPENDENT WATER HEATERS:**

**Heaters for petrol**

**B 5 SC – 12 V            20 1928 05 00 00**

**Heaters for diesel**

**D 5 SC – 12 V            25 2598 05 00 00**

## INFORMATION

### **DETERMINATION OF THE QUANTITY REQUIRED FOR THE ORDER**

To determine the quantity of a spare part required and the VE (sales units) to be ordered, use the information in the "Number of units per device" and "Number of units per VE (sales unit)".

#### **NUMBER OF UNITS PER DEVICE**

The number in this column indicates how many units of the spare part concerned are installed in the whole device.

#### **NUMBER OF UNITS PER VE**

The number in this column indicates how many units of the spare part concerned are included in one sales unit (VE).

#### **ORDER NO.**

The order number relates to one sales unit.

---

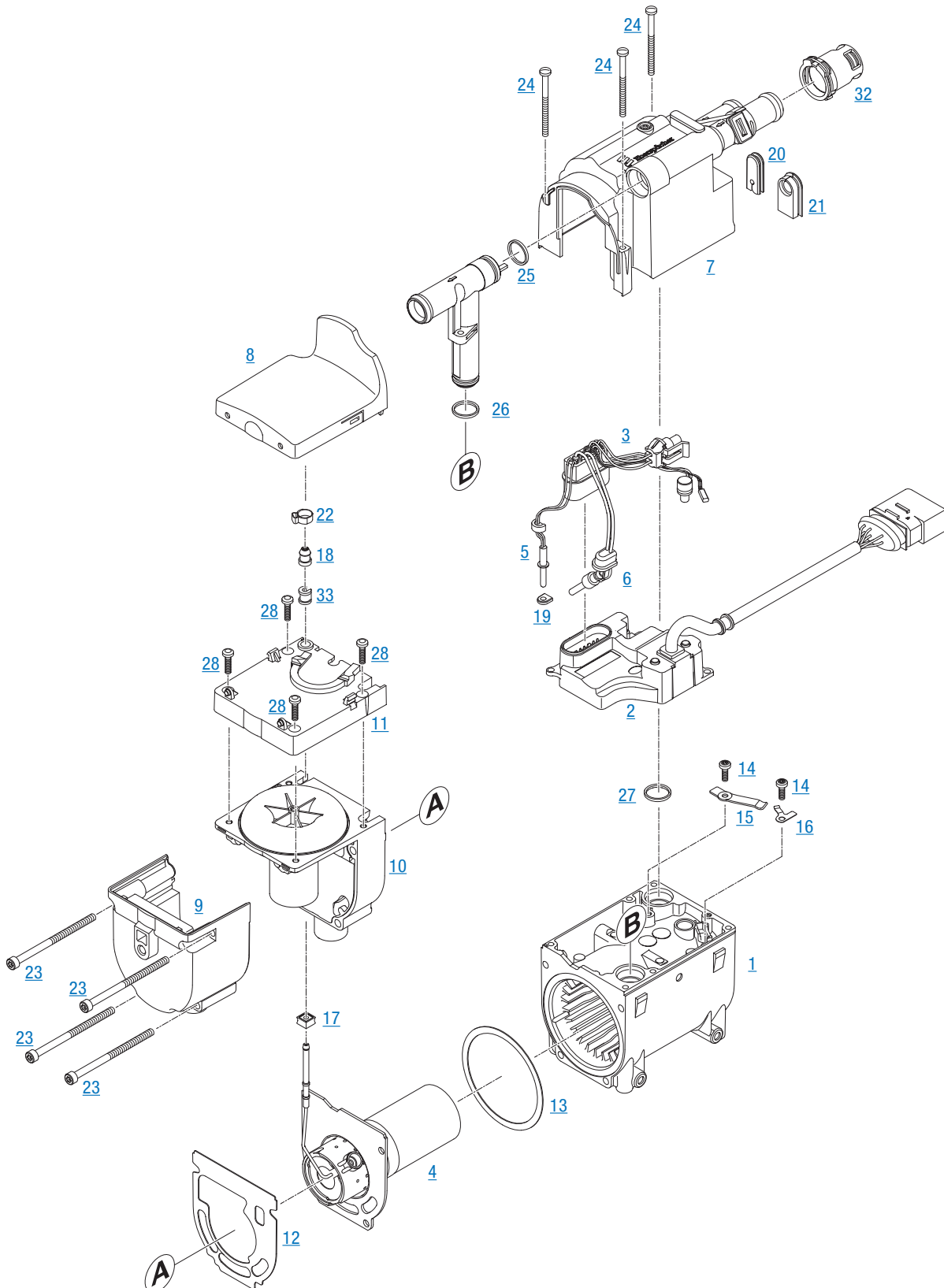
# CONTENTS

| CHAPTER | TITLE                                     | CONTENT                               | PAGE |
|---------|---|---------------------------------------|------|
| 1       | Heater                                    | B 5 SC spare parts diagram            | 4    |
|         |   | D 5 SC spare parts diagram            | 5    |
|         |   | Spare parts list                      | 6    |
| 2       | Spare parts diagram and spare parts lists | B 5 SC and D 5 SC spare parts diagram | 12   |
|         |   | Spare parts list                      | 13   |

---

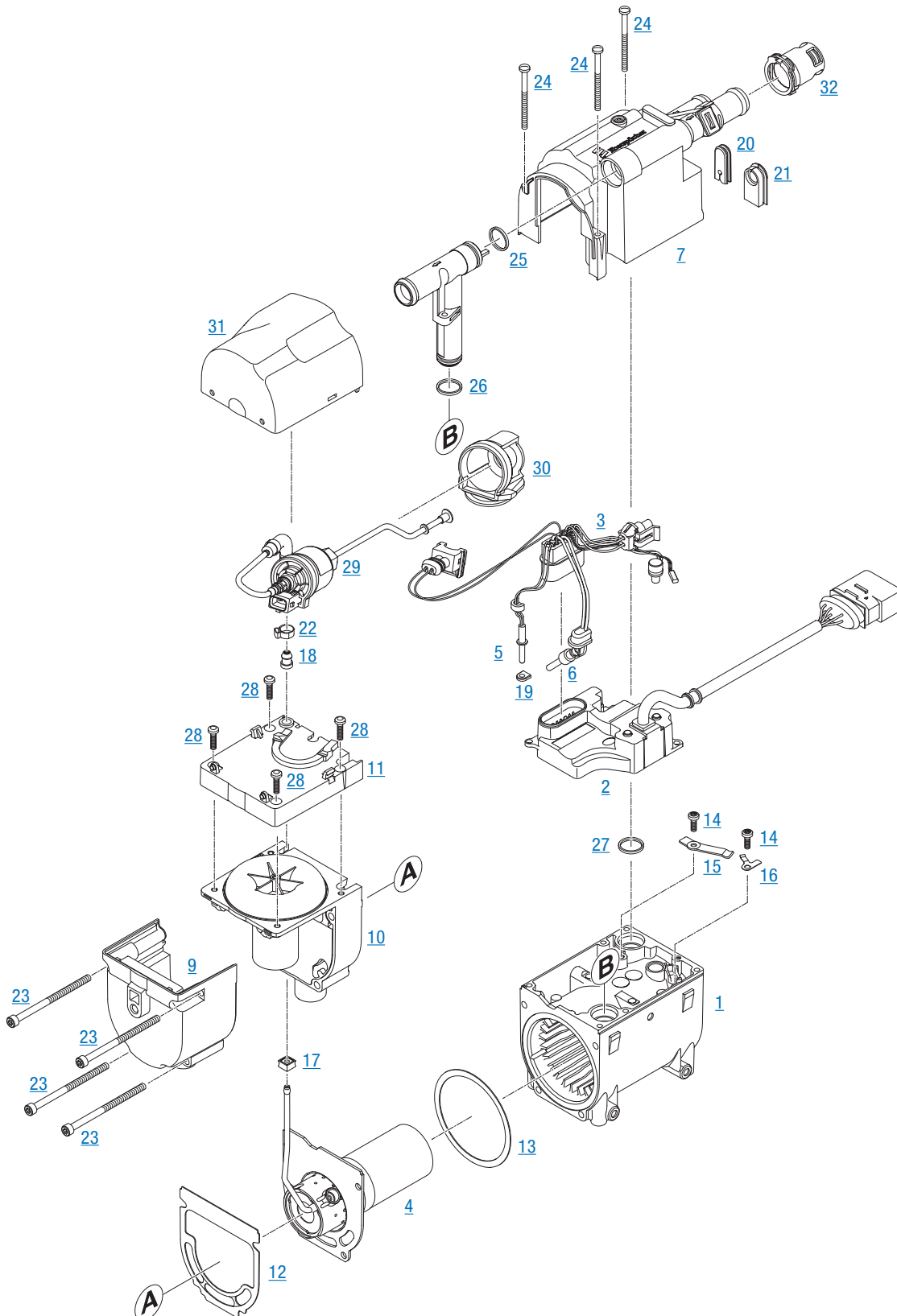
# 1 HEATER

## B 5 SC SPARE PARTS DIAGRAM



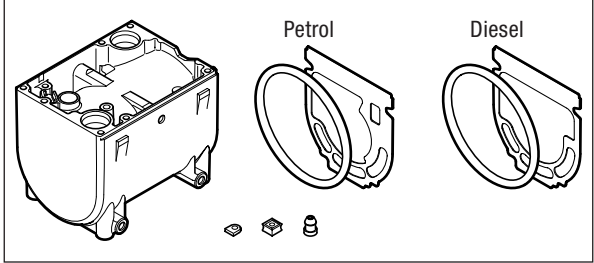
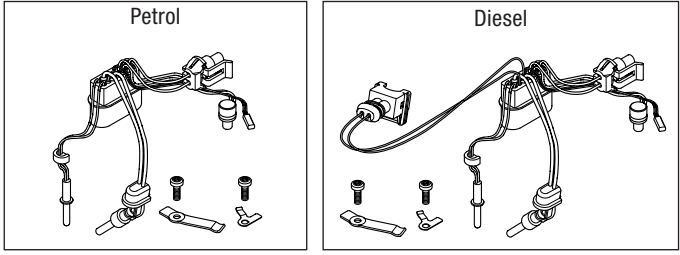
# 1 HEATER

## D 5 SC SPARE PARTS DIAGRAM

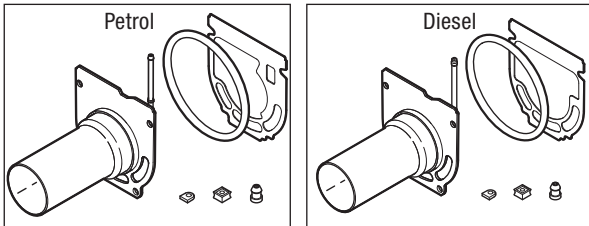
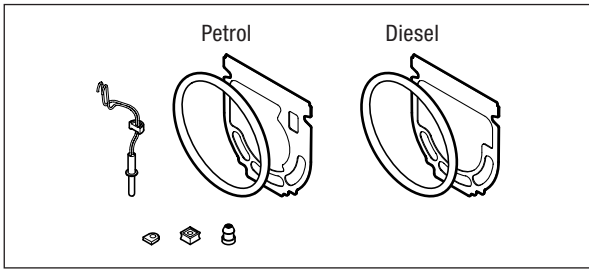
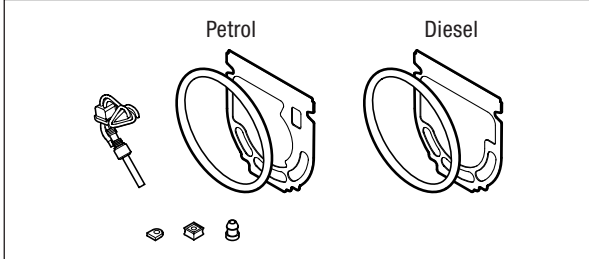


# 1 HEATER

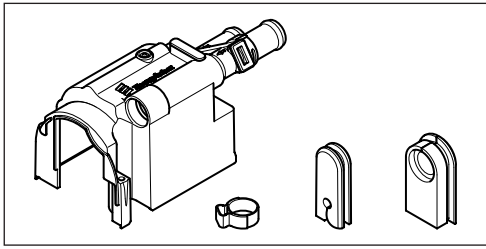
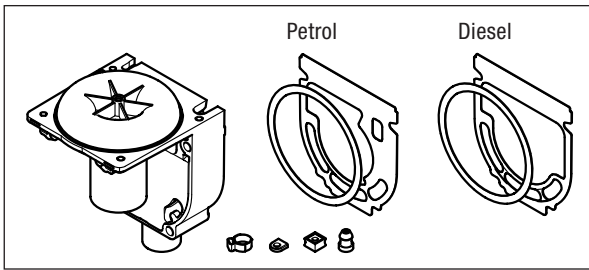
## SPARE PARTS LIST

| Item No.   | Number of units per device | Number of units per VE | Designation   | Order No. (VE)                       | For device |            |
|--|----------------------------|------------------------|---|--------------------------------------|------------|------------|
|  |                            |                        |   |                                      | 20 1928 05 | 25 2598 05 |
| 1  | 1                          | –                      | Jacket with heat exchanger  | <a href="#">see Kit No. 1</a>        |            |            |
|  | 1                          | 1                      | Kit No. 1 – Jacket with heat exchanger<br>includes:<br><a href="#">Item 1</a> Jacket with heat exchanger<br><a href="#">Item 12, 13</a> Kit seal, 1 × petrol and 1 × diesel<br><a href="#">Item 17, 18, 19</a> Kit grommets   | 25 2526 01 01 00                     | •          | •          |
|   |                            |                        |   |                                      |            |            |
| 2  | 1                          | 1                      | Control box   | 22 5206 02 10 02<br>22 5206 02 10 01 | •          | •          |
| 3  | 1                          | –                      | Lead harness, heater  | <a href="#">see Kit No. 2</a>        |            |            |
|  | 1                          | 1                      | Kit No. 2 – lead harness, heater<br>includes:<br><a href="#">Item 3</a> Lead harness, heater with surface sensor, temperature sensor, water pump lead harness and metering pump lead harness (for diesel heater only)<br><a href="#">Item 14</a> 2 × Screw, M4 × 12<br><a href="#">Item 15</a> Compression spring for temperature sensor<br><a href="#">Item 16</a> Compression spring for surface sensor | 20 1928 99 01 20<br>25 2598 99 01 20 | •          | •          |
|  |                            |                        |   |                                      |            |            |

# 1 HEATER

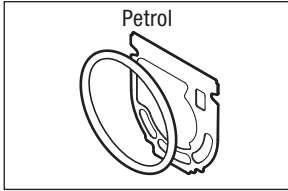
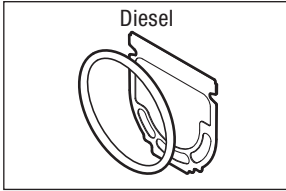
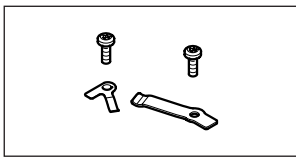
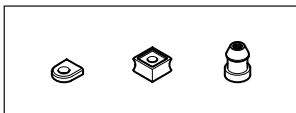
| Item No. | Number of units per device | Number of units per VE | Designation  | Order No. (VE)                       | For device |            |
|----------|----------------------------|------------------------|--|--------------------------------------|------------|------------|
|          |                            |                        |  |                                      | 20 1928 05 | 25 2598 05 |
| 4        | 1                          | –                      | Combustion chamber   | <a href="#">see Kit No. 3</a>        |            |            |
|          | 1                          | 1                      | Kit No. 3 – Combustion chamber includes:<br><a href="#">Item 4</a> Combustion chamber<br><a href="#">Item 12, 13</a> Kit seal, 1 × petrol or 1 × diesel<br><a href="#">Item 17, 18, 19</a> Kit grommets              | 20 1904 10 00 00<br>25 2526 10 00 00 | •          | •          |
|          |                            |                        |   |                                      |            |            |
| 5        | 1                          | –                      | Sensor, flame monitoring   | <a href="#">see Kit No. 4</a>        |            |            |
|          | 1                          | 1                      | Kit No. 4 – Sensor, flame monitoring includes:<br><a href="#">Item 5</a> Sensor, flame monitoring<br><a href="#">Item 12, 13</a> Kit seal, 1 × petrol and 1 × diesel<br><a href="#">Item 17, 18, 19</a> Kit grommets | 25 2526 99 37 00                     | •          | •          |
|          |                            |                        |    |                                      |            |            |
| 6        | 1                          | –                      | Glow plug, 12 volt   | <a href="#">see Kit No. 5</a>        |            |            |
|          | 1                          | 1                      | Kit No. 5 – Glow plug, 12 volt includes:<br><a href="#">Item 6</a> Glow plug, 12 volt<br><a href="#">Item 12, 13</a> Kit seal, 1 × petrol and 1 × diesel<br><a href="#">Item 17, 18, 19</a> Kit grommets             | 25 2526 99 01 11                     | •          | •          |
|          |                            |                        |    |                                      |            |            |

# 1 HEATER

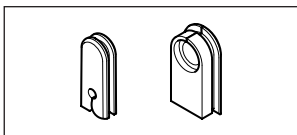
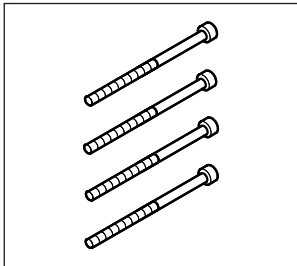
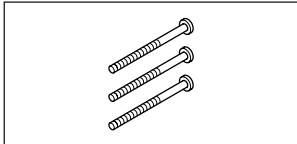
| Item No.   | Number of units per device | Number of units per VE | Designation  | Order No. (VE)                | For device |            |
|--|----------------------------|------------------------|--|-------------------------------|------------|------------|
|  |                            |                        |  |                               | 20 1928 05 | 25 2598 05 |
| 7  | 1                          | –                      | Water pump, preassembled   | <a href="#">see Kit No. 6</a> |            |            |
|  | 1                          | 1                      | Kit No. 6 – Water pump, preassembled<br>includes:<br><a href="#">Item 7</a> Water pump, preassembled<br><a href="#">Item 20, 21</a> , Kit grommet<br><a href="#">Item 22</a> Hose clamp                              | 25 2598 99 25 00              | •          | •          |
|    |                            |                        |  |                               |            |            |
| 8  | 1                          | 1                      | Cover  | 20 1928 01 00 07              | •          |            |
| 9  | 1                          | 1                      | Cover, electric motor, complete  | 25 2424 01 04 00              | •          | •          |
| 10   | 1                          | –                      | Fan  | <a href="#">see Kit No. 7</a> |            |            |
|  | 1                          | 1                      | Kit No. 7 – Fan<br>includes:<br><a href="#">Item 10</a> Fan<br><a href="#">Item 12, 13</a> Kit seal, 1 × petrol and 1 × diesel<br><a href="#">Item 17, 18, 19</a> Kit grommets<br><a href="#">Item 22</a> Hose clamp | 25 2598 99 15 00              | •          | •          |
|  |                            |                        |  |                               |            |            |
| 11   | 1                          | 1                      | Cover, fan, with seal  | 25 2598 01 03 00              | •          | •          |
| 12   | 1                          | –                      | Seal, combustion chamber flange / fan housing  | <a href="#">see Kit No. 8</a> |            |            |



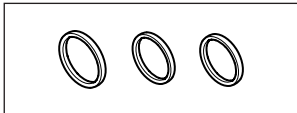
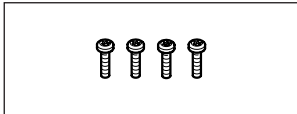
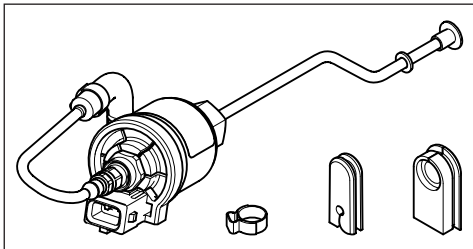
# 1 HEATER

| Item No. | Number of units per device | Number of units per VE | Designation   | Order No. (VE)                       | For device |            |
|----------|----------------------------|------------------------|---|--------------------------------------|------------|------------|
|          |                            |                        |   |                                      | 20 1928 05 | 25 2598 05 |
| 13       | 1                          | –                      | Seal, combustion chamber flange / heat exchanger  | <a href="#">see Kit No. 8</a>        |            |            |
|          | 1                          | 1                      | Kit No. 8 – Seal<br>includes:<br><a href="#">Item 12</a> Seal, combustion chamber flange / fan housing<br><a href="#">Item 13</a> Seal, combustion chamber flange / heat exchanger  | 20 1904 99 01 11<br>25 2526 99 01 10 | •          | •          |
|          |                            |                        | <div style="display: flex; justify-content: space-around;"> <div style="text-align: center;"> <p>Petrol</p>  </div> <div style="text-align: center;"> <p>Diesel</p>  </div> </div> |                                      |            |            |
| 14       | 2                          | –                      | Screw, M4 x 12  | <a href="#">see Kit No. 9</a>        |            |            |
| 15       | 1                          | –                      | Compression spring, overheating sensor  | <a href="#">see Kit No. 9</a>        |            |            |
| 16       | 1                          | –                      | Compression spring, surface sensor  | <a href="#">see Kit No. 9</a>        |            |            |
|          | 1                          | 1                      | Kit No. 9 – Compression spring<br>includes:<br><a href="#">Item 14</a> 2 × Screw, M4 × 12<br><a href="#">Item 15</a> Compression spring for temperature sensor<br><a href="#">Item 16</a> Compression spring for temperature sensor   | 25 2526 99 01 08                     | •          | •          |
|          |                            |                        |    |                                      |            |            |
| 17       | 1                          | –                      | Grommet, fuel pipe  | <a href="#">see Kit No. 10</a>       |            |            |
| 18       | 1                          | –                      | Grommet, fan cover  | <a href="#">see Kit No. 10</a>       |            |            |
| 19       | 1                          | –                      | Seal, flame sensor  | <a href="#">see Kit No. 10</a>       |            |            |
|          | 1                          | 1                      | Kit No. 10 – Grommets / seals<br>includes:<br><a href="#">Item 17</a> Grommet, fuel pipe<br><a href="#">Item 18</a> Grommet, fan cover<br><a href="#">Item 19</a> Seal, flame sensor  | 25 2526 99 01 04                     | •          | •          |
|          |                            |                        |    |                                      |            |            |
| 20       | 1                          | –                      | Grommet, fuel pipe  | <a href="#">see Kit No. 11</a>       |            |            |

# 1 HEATER

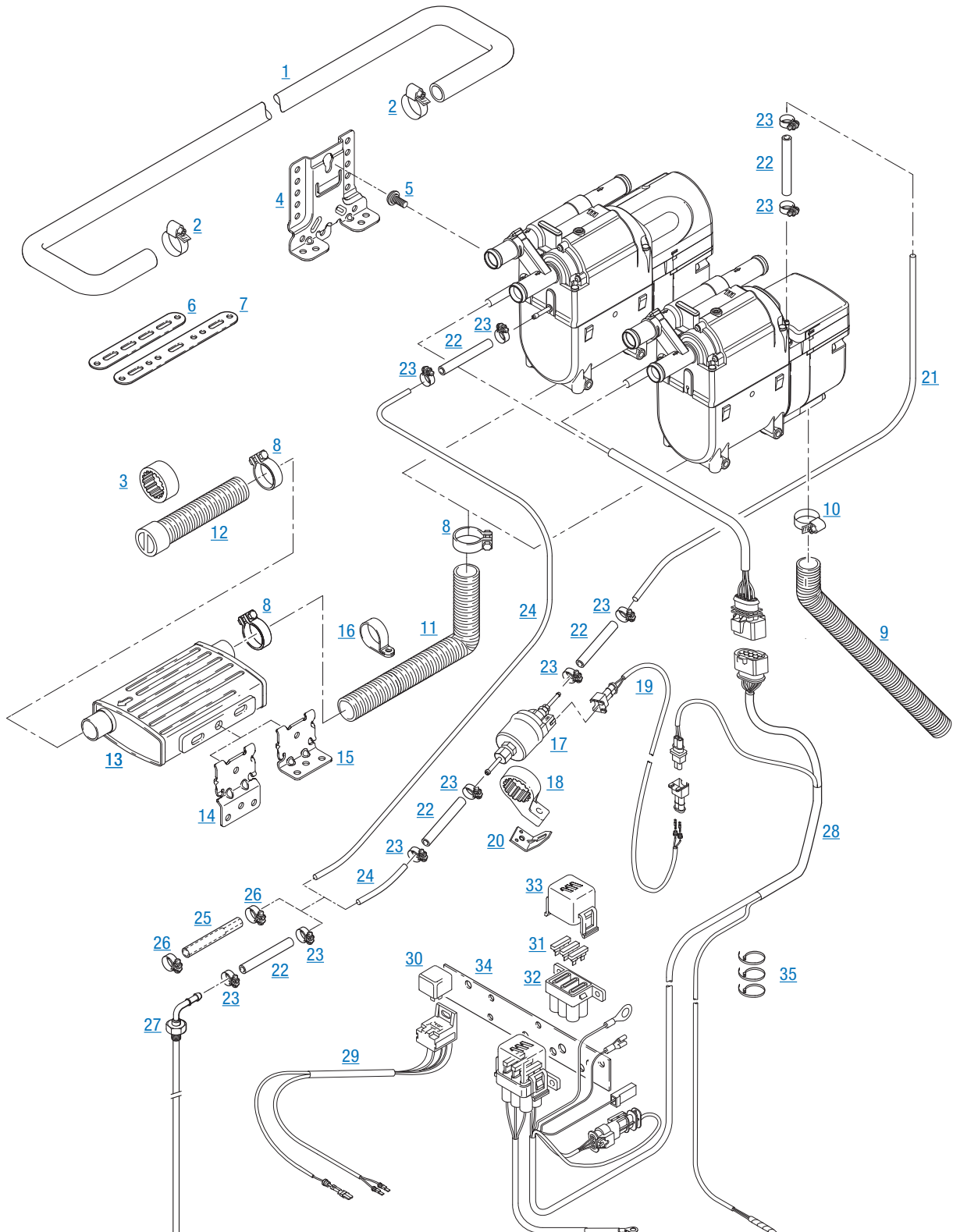
| Item No.  | Number of units per device | Number of units per VE | Designation   | Order No. (VE)                   | For device |            |
|---|----------------------------|------------------------|---|----------------------------------|------------|------------|
|   |                            |                        |   |                                  | 20 1928 05 | 25 2598 05 |
| 21  | 1                          | –                      | Grommet, control box cable loom   | <a href="#">see Kit No. 11</a>   |            |            |
|   | 1                          | 1                      | Kit No. 11 – Cover, control box<br>includes:<br><a href="#">Item 20</a> Grommet, fuel pipe<br><a href="#">Item 21</a> Grommet, control box cable loom | 25 2598 99 01 01                 | •          | •          |
|    |                            |                        |   |                                  |            |            |
| 22  | 1                          | –                      | Hose clamp  | <a href="#">see Kit No. 6, 7</a> |            |            |
| 23  | 4                          | –                      | Screw, M5 x 80  | <a href="#">see Kit No. 12</a>   |            |            |
|   | 1                          | 1                      | Kit No. 12 – Screw, M5 x 80<br>includes:<br>4 x Screw, M5 x 80  | 25 2278 01 00 30                 | •          | •          |
|  |                            |                        |   |                                  |            |            |
| 24  | 3                          | –                      | Screw, M4 x 55  | <a href="#">see Kit No. 13</a>   |            |            |
|   | 1                          | 1                      | Kit No. 13 – Screw, M4 x 55<br>includes:<br>3 x Screw, M4 x 55  | 25 2598 99 01 02                 | •          | •          |
|  |                            |                        |   |                                  |            |            |
| 25  | 1                          | –                      | O-ring, 18 x 2  | <a href="#">see Kit No. 14</a>   |            |            |
| 26  | 1                          | –                      | O-ring, 16 x 2  | <a href="#">see Kit No. 14</a>   |            |            |

# 1 HEATER

| Item No.  | Number of units per device | Number of units per VE | Designation   | Order No. (VE)                 | For device |            |
|---|----------------------------|------------------------|---|--------------------------------|------------|------------|
|   |                            |                        |   |                                | 20 1928 05 | 25 2598 05 |
| 27  | 1                          | –                      | O-ring, 14 x 2.6  | <a href="#">see Kit No. 14</a> |            |            |
|   | 1                          | 1                      | Kit No. 14 – O-rings<br>includes:<br><a href="#">Item 25</a> O-ring, 18 x 2<br><a href="#">Item 26</a> O-ring, 16 x 2<br><a href="#">Item 27</a> O-ring, 14 x 2.6   | 25 2598 99 01 03               | •          | •          |
|    |                            |                        |   |                                |            |            |
| 28  | 4                          | –                      | Screw, M4 x 16  | <a href="#">see Kit No. 15</a> |            |            |
|   | 1                          | 1                      | Kit No. 15 – Screw, M4 x 16<br>includes:<br>4 x Screw, M4 x 16  | 25 2526 99 00 31               | •          | •          |
|  |                            |                        |   |                                |            |            |
| 29  | 1                          | –                      | Metering pump, preassembled   | <a href="#">see Kit No. 16</a> |            |            |
|   | 1                          | 1                      | Kit No. 16 – Metering pump, preassembled<br>includes:<br><a href="#">Item 20</a> Grommet, fuel pipe<br><a href="#">Item 21</a> Grommet, control box cable loom<br><a href="#">Item 22</a> Hose clamp<br><a href="#">Item 29</a> Metering pump, preassembled | 25 2598 99 45 00               |            | •          |
|  |                            |                        |   |                                |            |            |
| 30  | 1                          | 1                      | Bracket, metering pump  | 25 2598 01 00 15               |            | •          |
| 31  | 1                          | 1                      | Cover, metering pump  | 25 2598 01 00 06               |            | •          |
| 32  | 1                          | 1                      | Plug  | 25 2598 05 01 00               | •          | •          |
| 33  | 1                          | 1                      | Sleeve  | 20 1829 01 00 20               | •          |            |

## 2 SPARE PARTS DIAGRAM AND SPARE PARTS LISTS

### B 5 SC AND D 5 SC SPARE PARTS DIAGRAM



## 2 SPARE PARTS DIAGRAM AND SPARE PARTS LISTS

### SPARE PARTS LIST

| Item No. | Number of units per device | Number of units per VE | Designation  | Order No. (VE)   | For device |            |
|----------|----------------------------|------------------------|--|------------------|------------|------------|
|          |                            |                        |  |                  | 20 1928 05 | 25 2598 05 |
| 1        | –                          | 1                      | Hose, water, di = 20 mm                                  | 25 1917 80 00 01 | •          | •          |
| 2        | –                          | 1                      | Hose clip, 20 – 32 mm                                    | 10 2067 02 00 32 | •          | •          |
| 3        | –                          | 1                      | Ring, 21 / 40  | 22 1000 50 10 02 | •          | •          |
| 4        | 1                          | 1                      | Bracket, heater  | 22 1000 51 37 00 | •          | •          |
| 5        | 1                          | 1                      | Special screw  | 25 2526 80 01 01 | •          | •          |
| 6        | –                          | 1                      | Bracket, straight, L = 135 mm                            | 22 9000 50 93 05 | •          | •          |
| 7        | –                          | 1                      | Bracket, straight, L = 180 mm                            | 22 9000 50 93 06 | •          | •          |
| 8        | 3                          | 1                      | Clip   | 22 1000 50 05 00 | •          | •          |
| 9        | 1                          | 1                      | Double pipe, combustion air, sound absorbing, di = 20 mm | 360 00 179       | •          | •          |
| 10       | 1                          | 1                      | Hose clip, 16 – 25 mm                                    | 10 2067 01 60 25 | •          | •          |
| 11       | 1                          | 1                      | Hose, exhaust, di = 24 mm, L = 900 mm                    | 360 61 274       | •          | •          |
| 12       | 1                          | 1                      | Hose, exhaust, di = 24 mm, L = 300 mm, with end sleeve   | 20 1731 80 04 00 | •          | •          |
| 13       | 1                          | 1                      | Exhaust silencer   | 22 1000 40 19 00 | •          | •          |
| 14       | 1                          | 1                      | Bracket, exhaust silencer, Z-shape                       | 22 1000 51 35 00 | •          | •          |
| 15       | 1                          | 1                      | Bracket, exhaust silencer, L-shape                       | 22 1000 51 34 00 | •          | •          |
| 16       | –                          | 1                      | Clip, $\varnothing$ 28 mm                                | 152 09 010       | •          | •          |
| 17       | 1                          | 1                      | Metering pump, 12 V                                      | 22 4517 08 00 00 | •          | •          |
| 18       | 1                          | 1                      | Bracket, metering pump                                   | 22 1000 50 04 00 | •          | •          |
| 19       | 1                          | 1                      | Lead harness, metering pump, L = 6 m                     | 22 1000 33 08 00 | •          | •          |
| 20       | –                          | 1                      | Bracket  | 20 1348 03 00 02 | •          | •          |
| 21       | –                          | m                      | Pipe, 1.25 DIN 73378, transparent                        | 890 31 118       | •          | •          |
|          |                            | m                      | Pipe, 4 × 1.25 VW TL 524 35A, black                      | 890 31 139       | •          | •          |
| 22       | –                          | m                      | Hose, 3.5 × 3  | 360 75 400       | •          | •          |
| 23       | 8                          | 1                      | Hose clip, $\varnothing$ 9 mm                            | 10 2068 00 90 98 | •          | •          |
| 24       | –                          | m                      | Pipe, 4 x 1, DIN 73378, blue                             | 890 31 054       | •          | •          |
|          |                            | m                      | Pipe, 4 × 1 VW TL 524 35A, black                         | 890 31 138       | •          | •          |
| 25       | 1                          | 1                      | Adapter, $\varnothing$ 5 / 3.5 mm                        | 25 1888 80 01 02 | •          | •          |
| 26       | 2                          | 1                      | Hose clip, $\varnothing$ 10 mm                           | 10 2068 01 00 98 | •          | •          |
| 27       | 1                          | 1                      | Tank connection, di = 4 mm                               | 22 1000 20 16 00 | •          | •          |
| 28       | 1                          | 1                      | Cable harness, heater                                    | 25 2526 81 10 00 | •          | •          |
| 29       | 1                          | 1                      | Cable harness, fan                                       | 22 1000 33 04 00 | •          | •          |

## 2 SPARE PARTS DIAGRAM AND SPARE PARTS LISTS

| Item No. | Number of<br>units per<br>device | Number of<br>units per VE | Designation                      | Order No. (VE)   | For device |            |
|----------|----------------------------------|---------------------------|----------------------------------|------------------|------------|------------|
|          |                                  |                           |                                  |                  | 20 1928 05 | 25 2598 05 |
| 30       | 1                                | 1                         | Relay, 12 V                      | 203 00 095       | •          | •          |
| 31       | 1                                | 1                         | Fuse insert, 5 A                 | 204 00 001       | •          | •          |
|          |                                  |                           | Fuse insert, 25 A                | 204 00 005       | •          | •          |
|          |                                  |                           | Fuse insert, 20 A                | 204 00 004       | •          | •          |
| 32       | 1                                | 1                         | Fuse holder, housing, receptacle | 22 1000 31 06 01 | •          | •          |
| 33       | 1                                | 1                         | Fuse holder, cover               | 22 1000 31 06 02 | •          | •          |
| 34       | 1                                | 1                         | Combined bracket                 | 22 1000 51 21 00 | •          | •          |
| 35       | -                                | 1                         | Set of cable ties                | 25 2526 99 80 07 | •          | •          |
|          |                                  |                           | - 10 ties, 2.5 x 100 mm          |                  |            |            |
|          |                                  |                           | - 20 ties, 5.0 x 200 mm          |                  |            |            |
|          |                                  |                           | - 5 ties, 4.6 x 390 mm           |                  |            |            |

**Headquarters:**

Eberspächer Climate Control Systems

GmbH & Co. KG

Eberspächerstraße 24

D - 73730 Esslingen

Hotline: 03976 2350235

Fax hotline: 01805 262624

[info@eberspaecher.com](mailto:info@eberspaecher.com)

[www.eberspaecher.com](http://www.eberspaecher.com)

